

## Ohm Wall 100/150

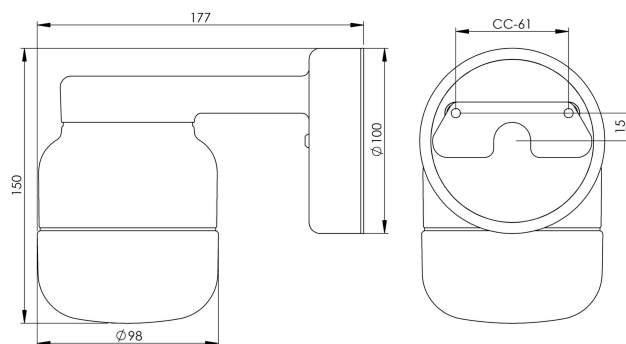
A family of porcelain luminaires for walls, ceilings and tables. Designed by Kauppi & Kauppi, the soft curves and restrained silhouette references to both Scandinavian design and ancient Japanese tableware.

|                  |               |
|------------------|---------------|
| EAN / GTIN       | 7312908361163 |
| E-number         | 7510809       |
| Article no.      | 8361-200-16   |
| Type designation | 51821W/G9     |



### Specification

|                       |                                  |
|-----------------------|----------------------------------|
| Material              | Porcelain, Aluminum              |
| Base colour           | Black (NCS S 9000-N)             |
| Glass                 | Matt opal glass                  |
| Glass thread (mm)     | 84,5 mm                          |
| Glass gasket          | Silicone                         |
| Weight                | 1,175 kg                         |
| Diameter (mm)         | 98                               |
| Height (mm)           | 149                              |
| Lamp holder           | G9                               |
| Light source          | G9, max 20W (not included)       |
| Effect                | Max 20W                          |
| Rated voltage         | 230V                             |
| IP class              | IP44                             |
| Insulation class      | II                               |
| D class               | No                               |
| IK class              | IK02                             |
| Ta                    | -30 - +25                        |
| Installation          | Wall                             |
| CC measurement (mm)   | 61                               |
| Knock out opening     | 1                                |
| Cable inlet           | Bottom inlet                     |
| Cable glands          | Bottom inlet                     |
| Cable area, max       | Max 3 x 2,5 mm <sup>2</sup>      |
| Bridging              | Yes, but not with external cable |
| Surface mounted cable | Yes                              |
| Connection            | Terminal block                   |
| Family                | Ohm                              |
| Design                | Kauppi & Kauppi                  |



### Maintenance

Disconnect the power to the luminaire. Unscrew the glass and clean it. Do not use detergents that contain solvents. Replace light source if necessary. Check the gasket and replace it if necessary. Screw the shade back on.

### Spare parts

Shade Ohm 100/110 matt opal, Article no.: 1-6160-30  
Gasket silikon for thread 84,5 mm, Article no.: 02786-9

*If the luminaire is modified the person responsible for the modification shall be considered manufacturer. Subject to errors in text. We reserve the right to change the technical specifications (without notice).*