

Base thread 84,5 mm

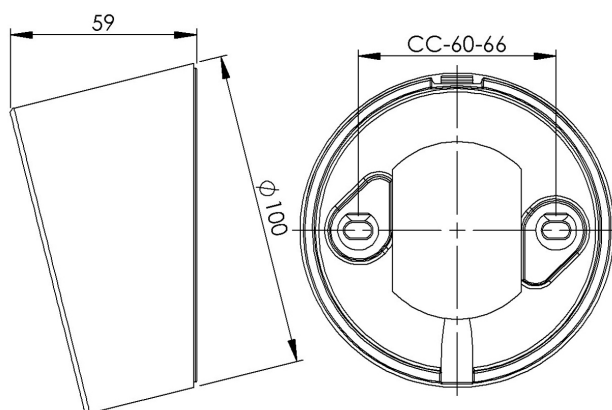
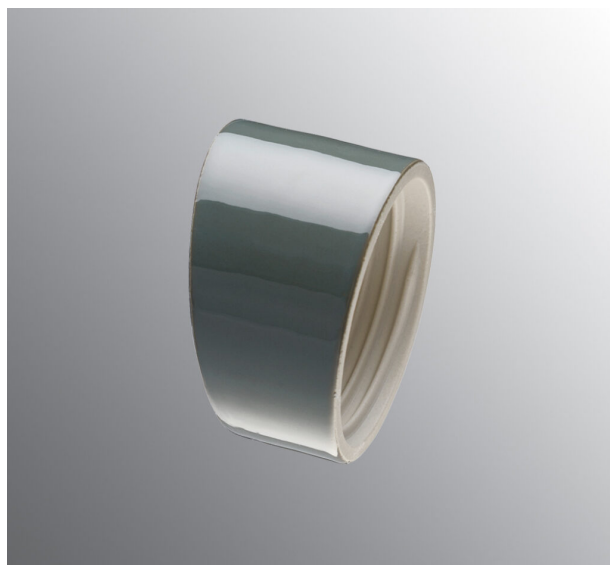
Base thread 84,5 mm in white glaze. IP20. Slanting. To be completed with with a LED module, max 8W.

| | |
|------------------|---------------|
| EAN / GTIN | 7312902741824 |
| E-number | 7502790 |
| Article no. | 52741-800-12 |
| Type designation | 52741/LED |



Specification

| | |
|-----------------------------------|------------------------|
| Material | Porcelain |
| Base colour | Grey (NCS S 6005-G50Y) |
| Glass thread (mm) | 84,5 mm |
| Glass gasket | Silicone |
| Weight | 0,49 kg |
| Diameter (mm) | 100 |
| Width (mm) | 59 |
| Lamp holder | Without lamp holder |
| Light source | |
| LED module, max 8W (not included) | |
| Effect | Max 8W |
| Rated voltage | 230V |
| IP class | IP20 |
| Insulation class | I |
| D class | No |
| IK class | IK02 |
| Ta | -30 - +25 |
| Installation | Wall |
| CC measurement (mm) | 60-66 |
| Knock out opening | 2 |
| Cable inlet | Bottom inlet |
| Cable glands | Bottom inlet |
| Bridging | Yes |
| Surface mounted cable | Yes |
| Family | Bases |



Luminaire specific information

Complete with a LED module, max 8W. Angeled 14 degrees.

Maintenance

Disconnect the power to the luminaire. Unscrew the glass and clean it. Do not use detergents that contain solvents. Replace light source if necessary. Check the gasket and replace it if necessary. Screw the shade back on.

Spare parts

Gasket silikon for thread 84,5 mm, Article no.: 02786-9

If the base is modified the person responsible for the modification shall be considered manufacturer. Subject to errors in text. We reserve the right to change the technical specifications (without notice).