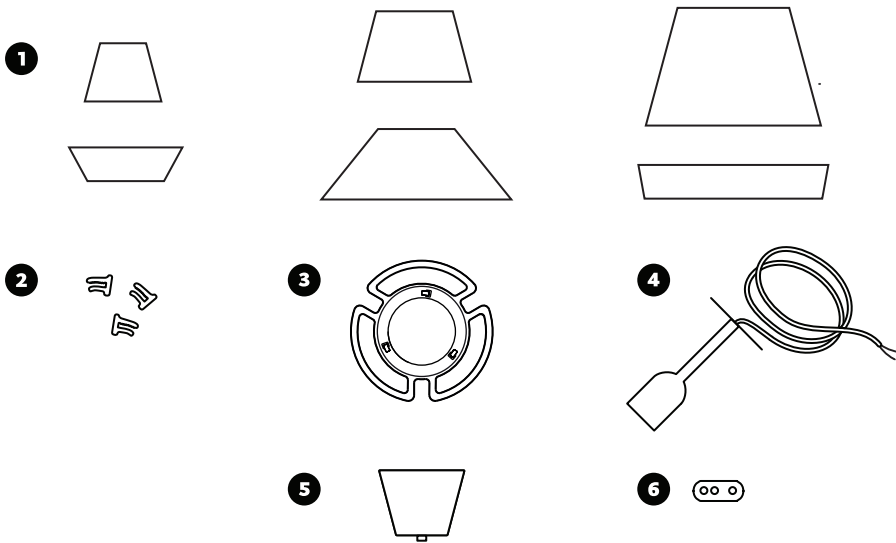


**Content**

- 1 Modular elements A, B, C, D, E, F. Each combo lamp comes with different combination of elements.
- 2 Clips for lamp connection
- 3 Large plastic ring (included with 'DANCE ALL NIGHT' and 'PROM QUEEN' combo)
- 4 Kit (bulb socket, small plastic ring, cable)
- 5 Ceiling cap
- 6 Cable adjuster

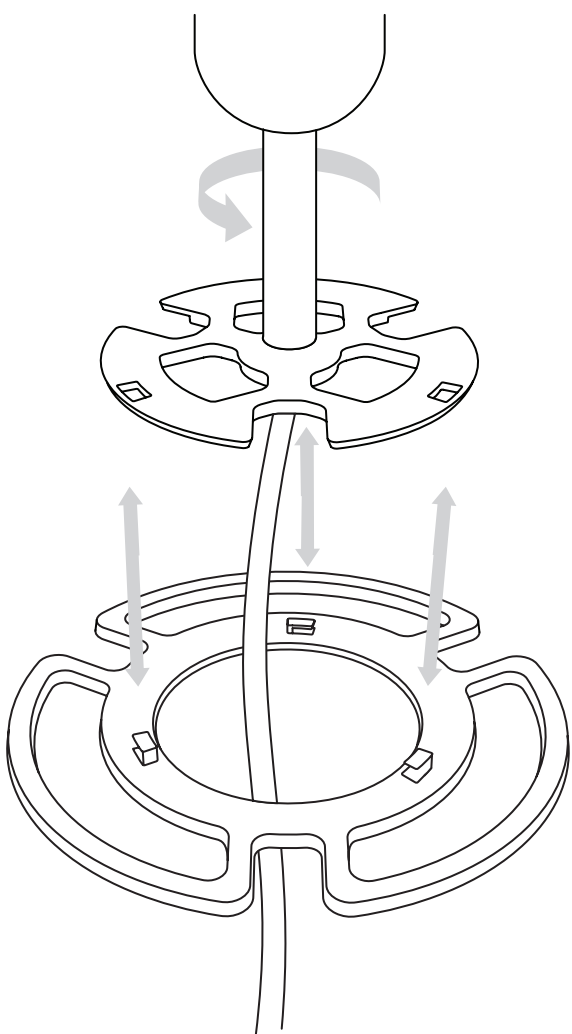


**Step 2**

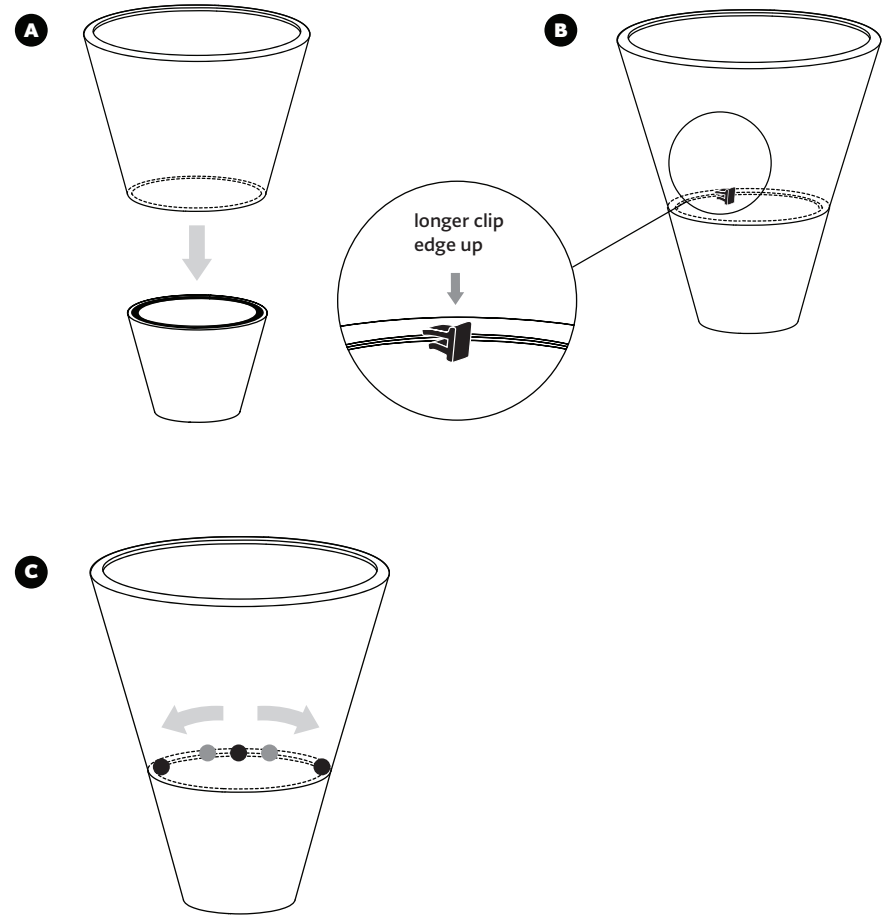
**IF YOUR COMBO IS NOT 'DANCE ALL NIGHT' OR 'PROM QUEEN' PLEASE PROCEED TO STEP 3.**

ASSEMBLING 'DANCE ALL NIGHT' AND 'PROM QUEEN'

'DANCE ALL NIGHT' and 'PROM QUEEN' are the two combos that use large ring. Pull the cable through the large ring. Position the holes on the small ring above the hooks on the large ring. Connect them in these points and turn to secure.



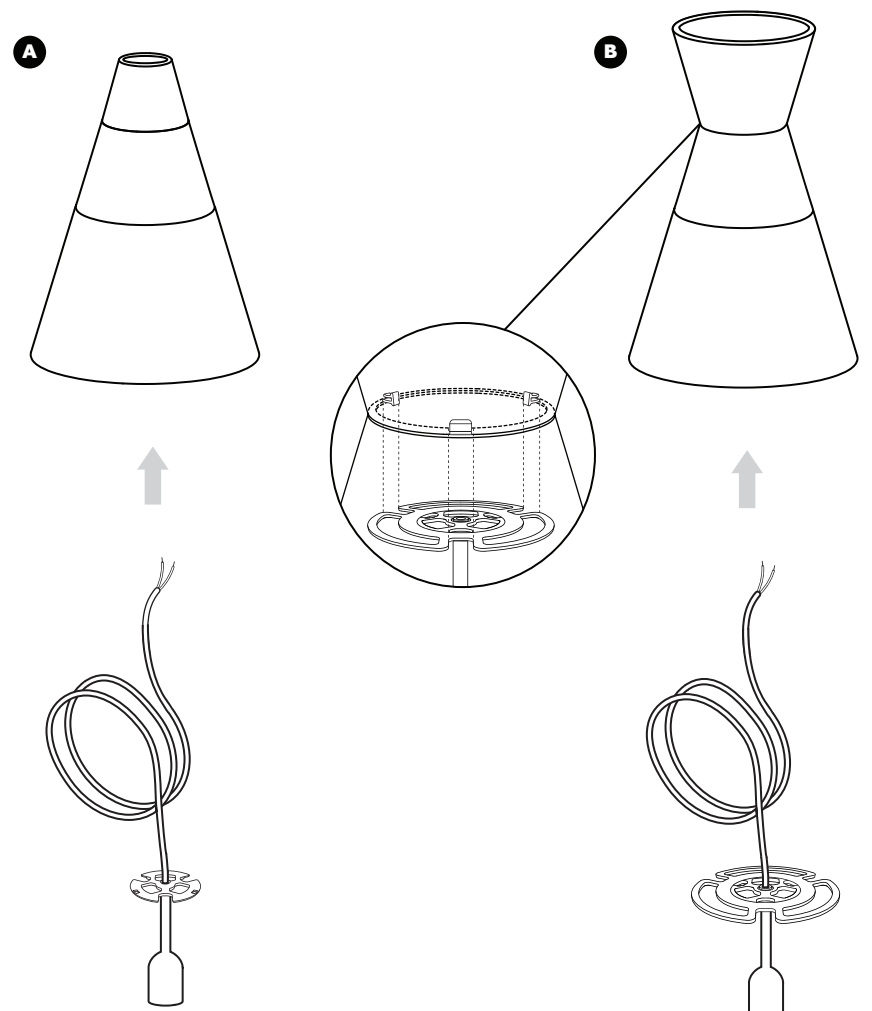
**Step 1**



- A Take two smaller elements and turn them upside down. The sealing rings are attached on the middle modular element. Do not remove it!
- B Bring two elements together and connect them with clips. The connected clip should be attached in such a way so the longer edge of the clip is up and visible.
- C When connecting next two clips—connect them close to the first clip and then slide them at equal distances from first one. Connect all other elements of the lamp using three (3) clips for smaller elements or four (4) for bigger elements.

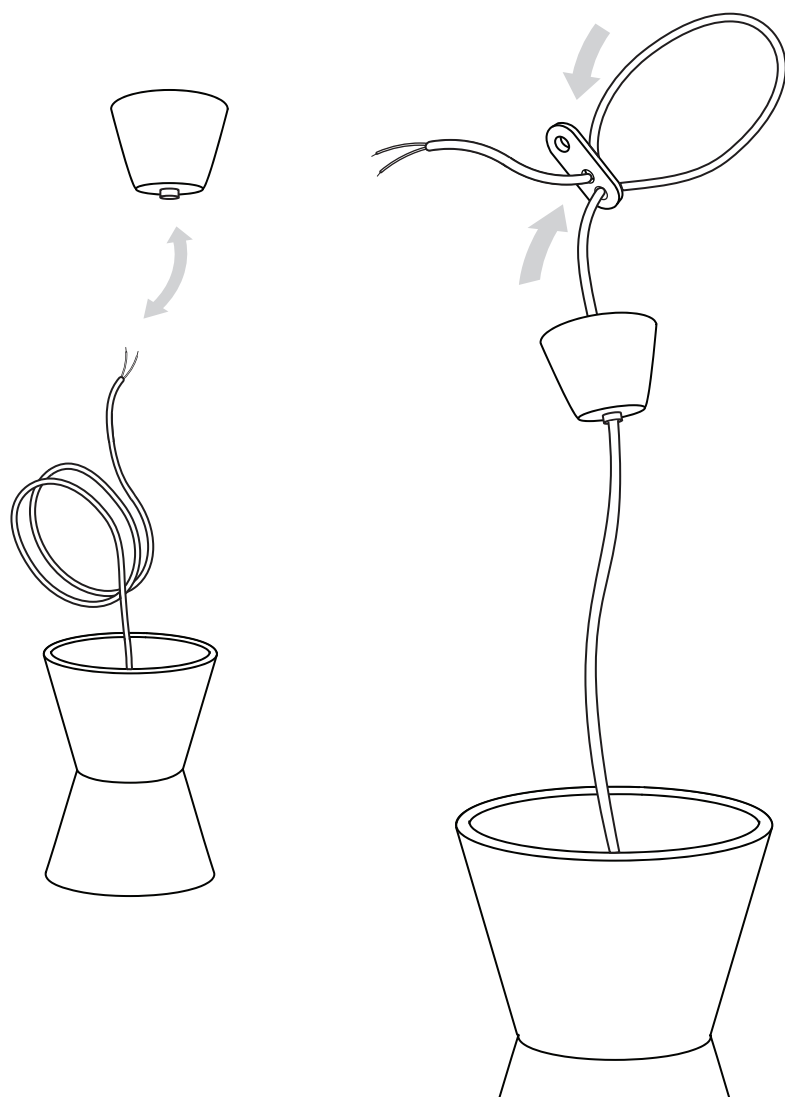
**Step 3**

- A For regular combos – pull the cable through connected elements.
- B For 'DANCE ALL NIGHT' and 'PROM QUEEN' when pulling the cable through connected elements make sure that clips are positioned between the cutouts of the large ring.



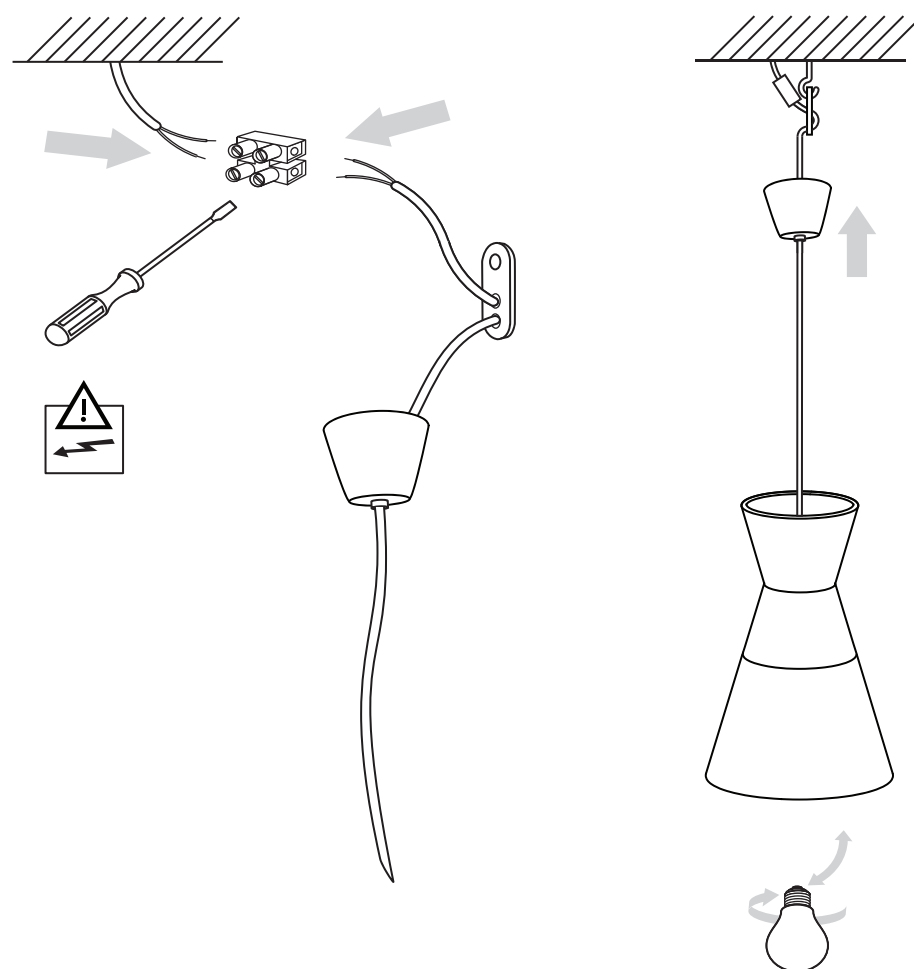
## Step 4

Pull the cable through the ceiling cap and then through the cable adjuster.



## Step 5

Connect the cable with terminal strip. Hang the cable adjuster on the ceiling hook (not included) and set a ceiling cap.



**ILI\_ILI (EITHER\_OR)** is a series of modular pendant lamps.

The line consists of six different elements which can easily be combined in various ways by simply linking them together, enabling customers to create a number of different lighting fixtures according to their preference.

### WARNING!

Always shut off power to the circuit before starting installation work. Use only indoors. Regularly check whether there is damage to cables and other parts. If any part is damaged, do not use the product. If cord of this luminaire is damaged it must only be replaced by the authorised electrical contractor. Use only approved light bulbs.

### IMPORTANT INFORMATION!

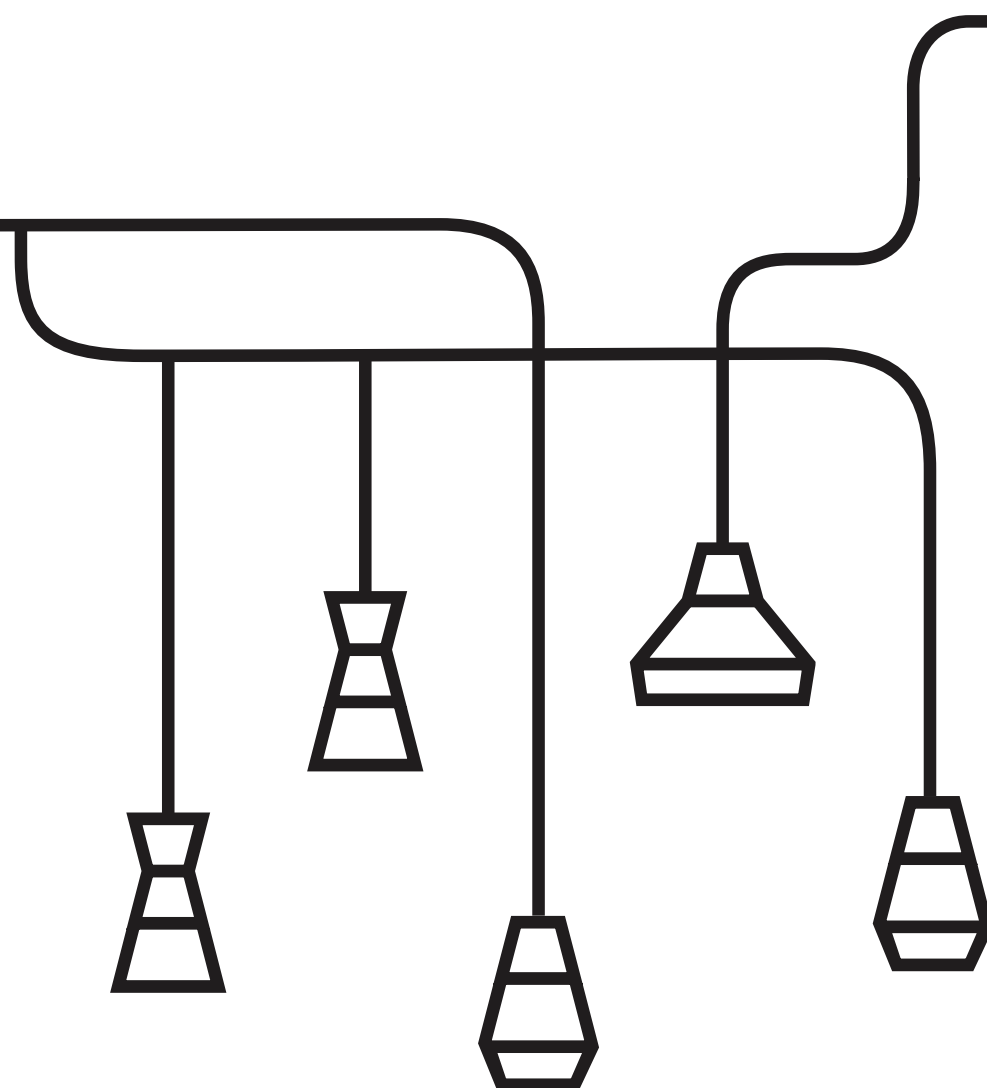
Do not disassemble this product.  
Do not immerse the product in water.

### CLEANING

Use a soft cloth, do not use strong cleaning agents.

### TECHNICAL INFORMATION

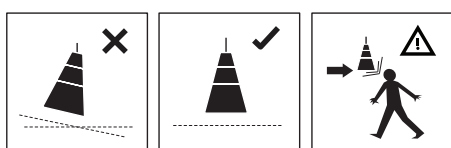
Cord length 250 cm  
Voltage 220–240V, E27–max 75W



Grupa products

Grupa Studio d.o.o.

POPA DUKLJANINA 1, ZAGREB, CROATIA, EU  
www.grupaproducts.com  
sales@grupaproducts.com



*ilili*