

Base thread 123,5 mm E27

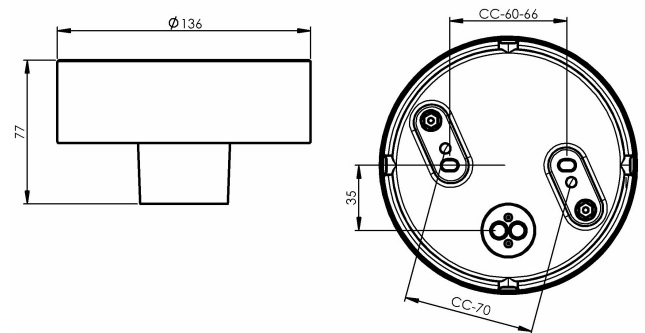
Base thread 123,5 mm, white, IP44, straight, bottom inlet. E27.

EAN / GTIN	7312905576515
E-number	7507238
Article no.	55765-000-10
Type designation	51765/E27



Specification

Material	Porcelain
Base colour	White (NCS S 1502-G50Y)
Glass thread (mm)	123,5 mm
Glass gasket	Silicone
Weight	0,64 kg
Diameter (mm)	140
Height (mm)	45
Lamp holder	E27
Light source	E27, max 40W (not included)
Effect	Max 40W
Rated voltage	230V
IP class	IP44
Insulation class	II
D class	No
IK class	IK02
Ta	-30 - +25
Installation	Ceiling/wall
CC measurement (mm)	60-66, 70
Knock out opening	4
Cable inlet	Bottom inlet
Cable glands	Bottom inlet
Cable area, max	Max 2 x 2,5 mm ²
Bridging	Yes
Surface mounted cable	Yes
Connection	Screw connector
Family	Bases



Maintenance

Disconnect the power to the luminaire. Unscrew the glass and clean it. Do not use detergents that contain solvents. Replace light source if necessary. Check the gasket and replace it if necessary. Screw the shade back on.

Spare parts

Gasket silicone for thread 123,5 mm, Article no.: 02789

If the base is modified the person responsible for the modification shall be considered manufacturer. Subject to errors in text. We reserve the right to change the technical specifications (without notice).