

## Base thread 84,5 mm

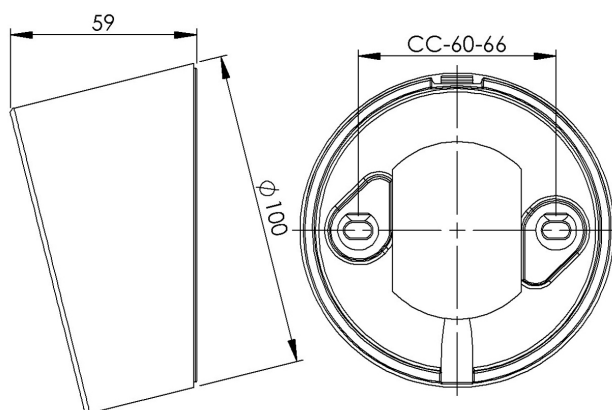
Base thread 84,5 mm in white glaze. IP20. Slanting. To be completed with with a LED module, max 8W.

EAN / GTIN	7312902741800
E-number	7502789
Article no.	52741-800-10
Type designation	52741/LED



### Specification

Material	Porcelain
Base colour	White (NCS S 1502-G50Y)
Glass thread (mm)	84,5 mm
Glass gasket	Silicone
Weight	0,49 kg
Diameter (mm)	100
Width (mm)	59
Lamp holder	Without lamp holder
Light source	
LED module, max 8W (not included)	
Effect	Max 8W
Rated voltage	230V
IP class	IP20
Insulation class	I
D class	No
IK class	IK02
Ta	-30 - +25
Installation	Wall
CC measurement (mm)	60-66
Knock out opening	2
Cable inlet	Bottom inlet
Cable glands	Bottom inlet
Bridging	Yes
Surface mounted cable	Yes
Family	Bases



### Luminaire specific information

Complete with a LED module, max 8W. Angeled 14 degrees.

### Maintenance

Disconnect the power to the luminaire. Unscrew the glass and clean it. Do not use detergents that contain solvents. Replace light source if necessary. Check the gasket and replace it if necessary. Screw the shade back on.

### Spare parts

Gasket silikon for thread 84,5 mm, Article no.: 02786-9

*If the base is modified the person responsible for the modification shall be considered manufacturer. Subject to errors in text. We reserve the right to change the technical specifications (without notice).*