

## Ohm 140/170 LED 2700K

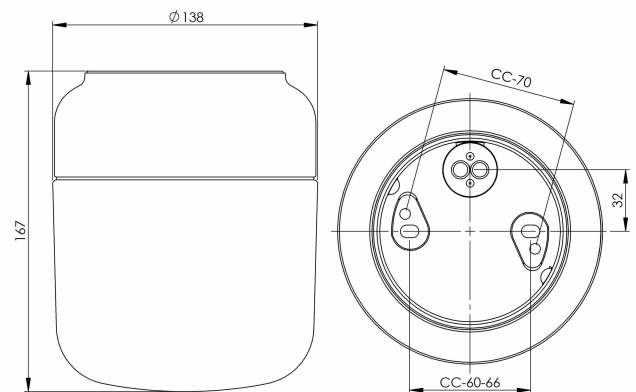
A family of porcelain luminaires for walls, ceilings and tables. Designed by Kauppi & Kauppi, the soft curves and restrained silhouette references to both Scandinavian design and ancient Japanese tableware.

|                  |               |
|------------------|---------------|
| EAN / GTIN       | 7312908352826 |
| E-number         | 7509289       |
| Article no.      | 8352-801-16   |
| Type designation | 51822/LED     |



### Specification

|                       |                             |
|-----------------------|-----------------------------|
| Material              | Porcelain                   |
| Base colour           | Black (NCS S 9000-N)        |
| Glass                 | Matt opal glass             |
| Glass thread (mm)     | 123,5 mm                    |
| Glass gasket          | Silicone                    |
| Weight                | 1,61 kg                     |
| Diameter (mm)         | 138                         |
| Height (mm)           | 167                         |
| Lamp holder           | LED                         |
| Light source          | LED module, 10W **          |
| Effect                | 10W                         |
| Lumen, light source   | 1000lm                      |
| Lumen, luminaire      | 689                         |
| Colour temperature    | 2700K                       |
| MacAdam               | 3 SDCM                      |
| Life span             | L80/B10: 47 000 h           |
| Ra                    | Min 90                      |
| Rated voltage         | 230V                        |
| Dimmable              | RC mode                     |
| IP class              | IP44                        |
| Insulation class      | I                           |
| Energy class          | F                           |
| D class               | No                          |
| IK class              | IK02                        |
| Ta                    | -30 - +25                   |
| Installation          | Ceiling/wall                |
| CC measurement (mm)   | 60-66, 70                   |
| Knock out opening     | 0                           |
| Cable inlet           | Bottom inlet                |
| Cable glands          | Bottom inlet                |
| Cable area, max       | Max 3 x 2,5 mm <sup>2</sup> |
| Bridging              | Yes                         |
| Surface mounted cable | No                          |
| Connection            | Terminal block              |
| Family                | Ohm                         |
| Design                | Kauppi & Kauppi             |



### Maintenance

Disconnect the power to the luminaire. Unscrew the glass and clean it. Do not use detergents that contain solvents. Replace light source if necessary. Check the gasket and replace it if necessary. Screw the shade back on.

### Spare parts

Shade Ohm 140/170 matt opal, Article no.: 1-6168-30  
Gasket silicone for thread 123,5 mm, Article no.: 02789  
LED module 10W 2700K, Article no.: 1-54056-927

\*\* The device must under no circumstances be connected to the same phase as a magnetic ballast or other older fluorescent luminaires as these luminaires can generate overvoltage transients outside of EU regulatory standards when switched off or on. The luminaire can permanently damage or completely cease to function when connected.

If the luminaire is modified the person responsible for the modification shall be considered manufacturer. Subject to errors in text. We reserve the right to change the technical specifications (without notice).