

# Top

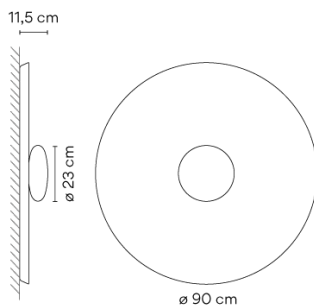
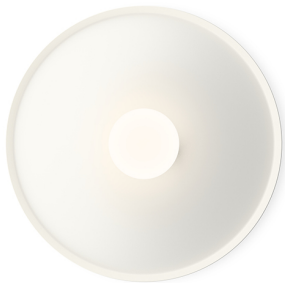
1170


Design By Ramos & Bassols

Top is a ceiling lamp with surface installation. It features simple lines that blend in with the ceiling as much as possible. The light reflected by the glass diffuser is confined within the rosette, as if the light were framed.

VIBIA

## Model Sheet



<b>Finish</b>	 36 Soft Pink NCS S 1010-Y50R
	 47 Green L1 NCS S 4005-G80Y
	 10 White NCS S 0300-N
	 40 Blue L1 NCS S 3010-B

**LED temperature color** 2700 K / 3000 K / 3500 K / 4000 K

**Dimming** DALI 1-10V Push / CASAMBI

**Installation type** Surface Canopy

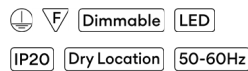
**Materials** Body: Aluminum  
Ceiling rose: Aluminum  
Diffuser: Opal blown-glass

**Light source** 3 x LED 13,4W 700mA



**LED** CRI>90 3300 lm 82.08  
2700 K / 3000 K / 3500 K / 4000 K

**Driver** Constant Current 700  
220-240 V V 50-60 Hz HZ



**Application** Ceiling Lamps

**Packaging** 1 Box  
1.12 m x 1.12 m x 0.345 m  
Gross weight 7.7  
Net weight 5.3  
Vol. 0.4327

### Lighting effect

#### General Lighting

Lamp for general lighting that equally distributes the light in all directions.

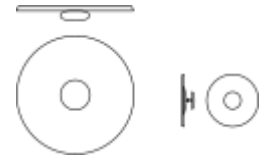


#### Photometric Data

These photometric data refer to finish 36. If you need the photometrics of other finishes please go to Download.

<b>Efficiency</b>	66.69 lm/W
<b>Coordinate System</b>	CG
<b>Total Flux</b>	3103.46 lm
<b>Maximum Value</b>	813.96 c

#### Other Applications



All of our products come with a five-year warranty. Check our legal terms at [www.vibia.com/warranty](http://www.vibia.com/warranty)

Vibia Lighting, S.L.U.

Office / Oficina  
Progrés 4-6. 08850 Gavà. Barcelona, Spain.

International T +34 934 796 971  
Spain / Portugal T +34 934 796 970

customer.service@vibia.com  
vibia.com