

Solenne 320/173

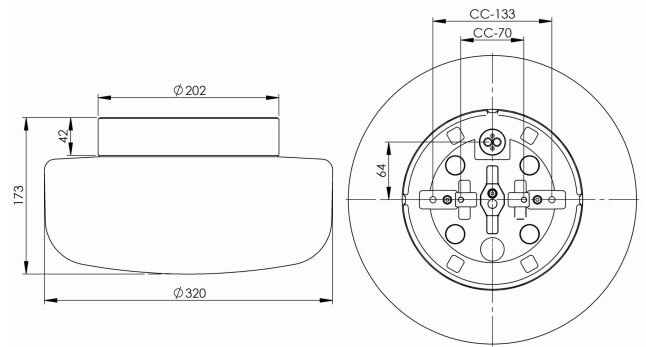
Solenne is designed by Kauppi & Kauppi and includes a total of seven lighting fixtures, all with generous matt opal glass shades and black or white glazed porcelain bases. Four of the fixtures follow our traditional range for ceiling, wall, and facade with IP44 ratings suitable for both indoor and outdoor installations. The collection also includes three more novel types of lighting fixtures, taking our pressed porcelain to new indoor contexts. Solenne includes a grand pendant with a corresponding porcelain ceiling cup, a new table luminaire with a wooden base, and Ifö Electric's very first floor lamp.

| | |
|------------------|---------------|
| EAN / GTIN | 7312908442169 |
| E-number | 7509649 |
| Article no. | 8442-500-16 |
| Type designation | 7038A |



Specification

| | |
|-----------------------|--------------------------|
| Base colour | Black (NCS S 9000-N) |
| Glass | Matt opalglas |
| Glass thread (mm) | 185,5 mm |
| Glass gasket | Silicone |
| Diameter (mm) | 320 |
| Height (mm) | 173 |
| Lamp holder | E27 |
| Light source | E27, max 75W (not incl.) |
| Lighting control | E27, max 75W (not incl.) |
| Rated voltage | 230V |
| IP class | IP44 |
| Insulation class | II |
| D class | No |
| IK class | IK02 |
| Ta | -30 - +25 |
| Installation | Ceiling/wall |
| CC measurement (mm) | 133, 70 |
| Knock out opening | 3 |
| Cable inlet | Bottom inlet |
| Cable glands | Bottom inlet |
| Bridging | Yes |
| Surface mounted cable | Yes |
| Connection | Screw connector |
| Family | Solenne |
| Design | Kauppi & Kauppi |



Maintenance

Disconnect the luminaire. Remove the shade and clean it. Do not use cleaning agents containing solvents. Change the light source if necessary. Check the gasket and change it if necessary. Replace the shade.

Spare parts

Shade Solenne 320, Article no.: 1-6165-30
Gasket silicone for thread 185,5 mm, Article no.: 03431

If the luminaire is modified the person responsible for the modification shall be considered manufacturer. Subject to errors in text. We reserve the right to change the technical specifications (without notice).