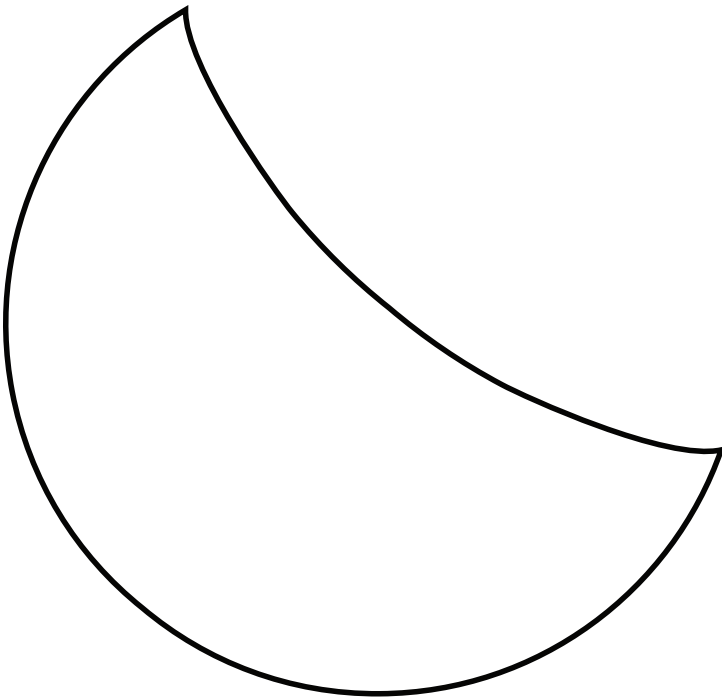


Chandelier 6

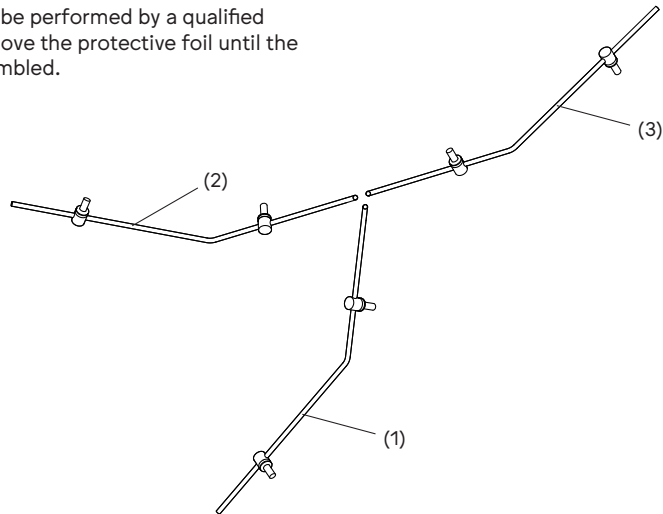


Baluna
by GRUPA

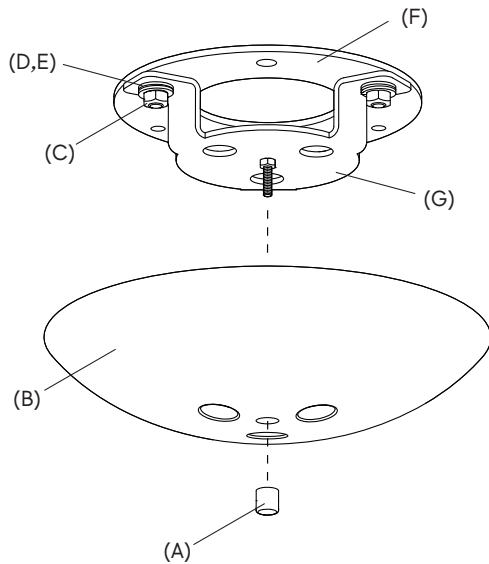
Chandelier 6 Lamp Assembly

Make sure to have enough space on the floor while assembling the chandelier. Cover the floor to protect the lamp from scratching.

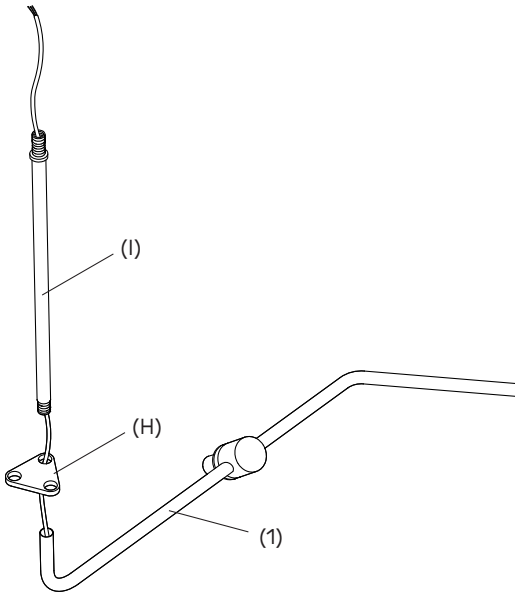
The installation should be performed by a qualified electrician. Do not remove the protective foil until the chandelier is fully assembled.



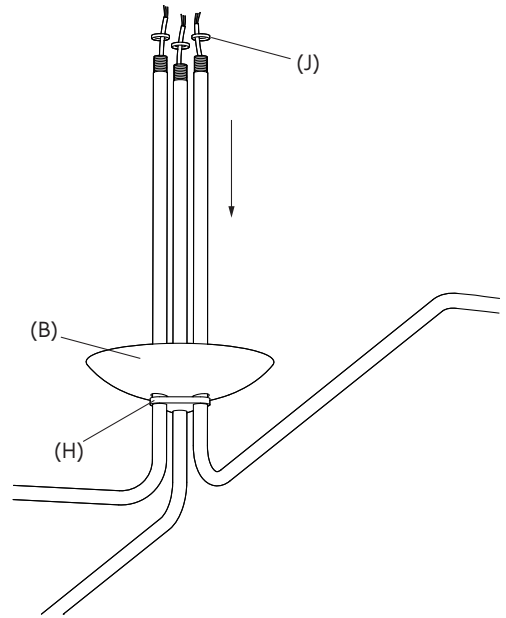
1. Take the chandelier arms (1, 2, 3) and place them on the floor in the clockwise order.
-



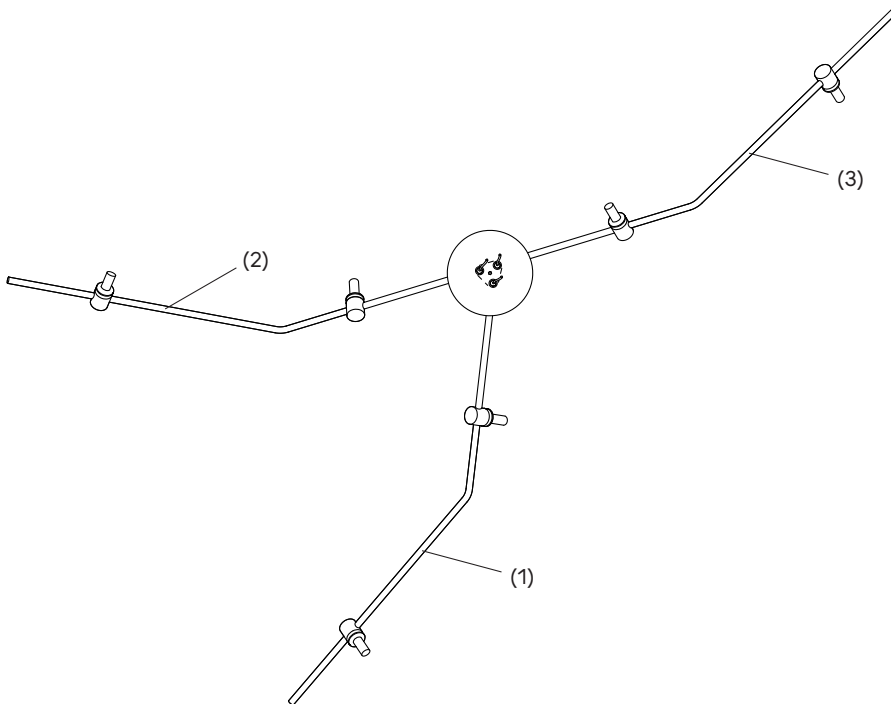
2. Unscrew the cylinder nut (A) under the ceiling rose (B). Unscrew the nuts (C), remove them together with washers (D) and spring washers (E), separate the bottom holder (G) from the ceiling mounting (F).



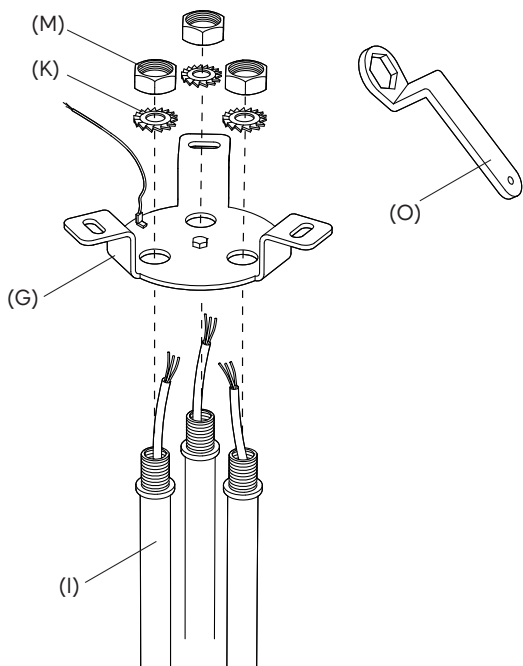
3. Assemble the first arm (1) and pull the cable through the spacer (H) and the vertical pipe (I). Screw the vertical pipe (I) into the arm (1) until it is hand tight. Do the same for the arms (2) and (3).



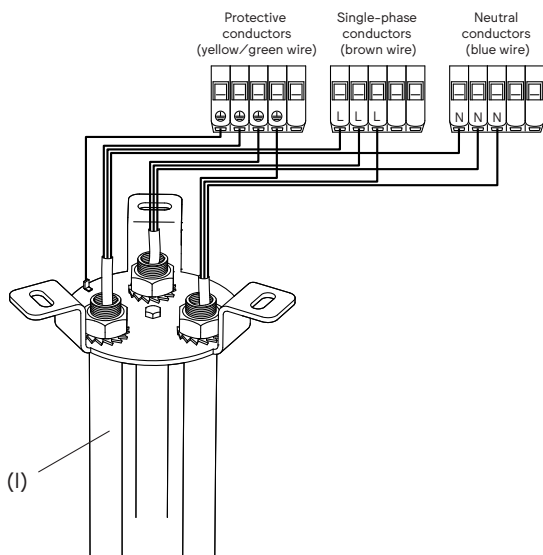
4. Unscrew the round threaded shims (J), slide the ceiling rose mask (B) to the spacer (H), and screw back hand tight the round threaded shims (J).



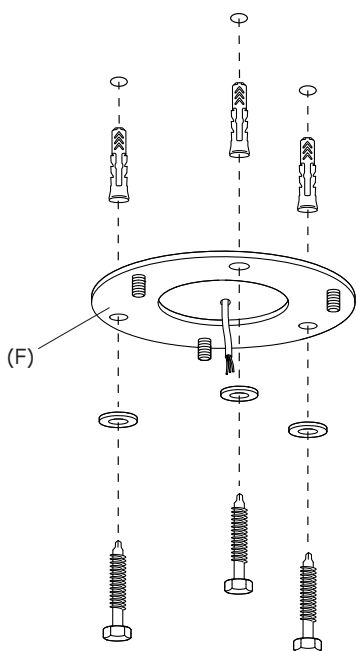
5. Place the chandelier arms in preferred position.



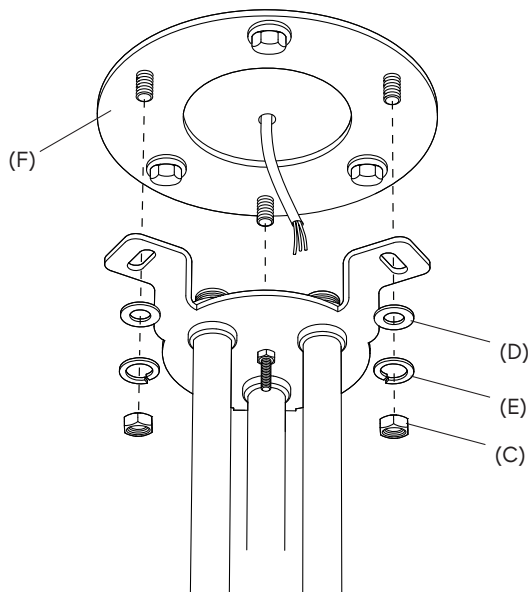
6. Tighten the bottom holder (G) to the pipes (I) by placing the tooth washers (K) and screwing nuts (M) with the provided tool (O).



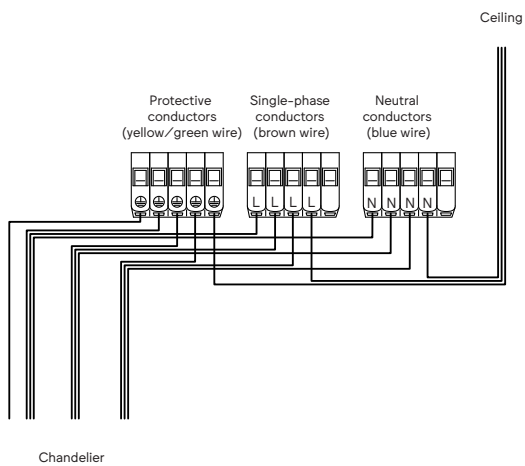
7. Connect the electrical cables from the vertical pipes (I) to the terminal strips. One terminal strip should hold all the protective conductors (yellow/green wires \oplus), the second one all the single-phase conductors (brown wires L) and the third one all the neutral conductors (blue wires N).



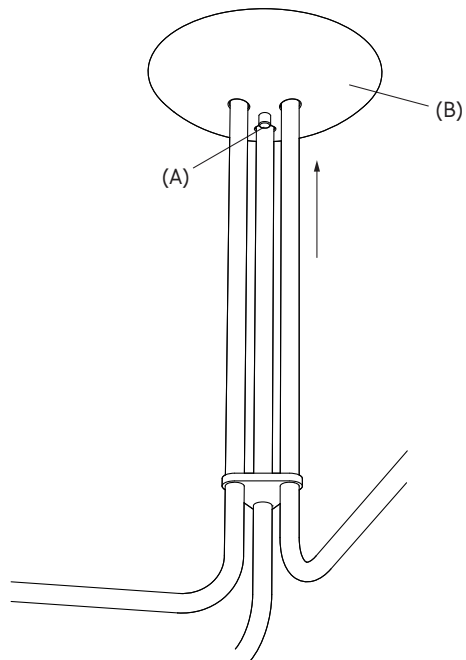
8. Mount the ceiling mounting to the ceiling with three appropriate screws and plugs. Always use correct screws and plugs for the mounting surface.



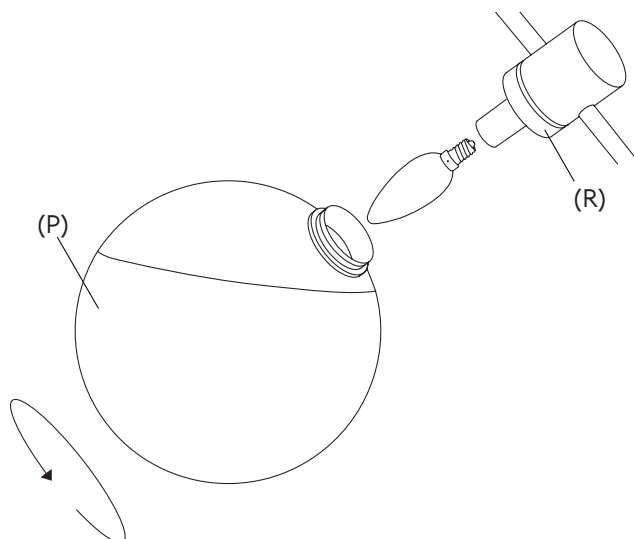
9. Attach the chandelier to the ceiling mounting (F). Place back the washer (D), spring washer (E), and tighten everything with the nut (C).



10. Connect the electrical cable to the terminal strips, matching the wire colours.



11. Pull up the ceiling rose mask (B) to the top and tighten with the cylinder nut (A).



12. Take off the protective foil from the pipes. Insert the light bulb then gently mount the diffusers (P) screwing them while holding the metal ring (R).

Important

The safety of this product can only be guaranteed if these instructions are observed, during both installation and use. We advise keeping these instructions.

If the product requires installation, it should be performed by a qualified electrician.

This luminaire must be connected to a grounding electrical system. Always turn off power to the system before starting installation work. Whenever acting on the luminaire (i.e. changing the light bulb), ensure that the power supply has been switched off.

Different materials require different types of fittings. Always choose screws and plugs that are best suited for the material on which you are installing the luminaire.

Warning

This product has been carefully handmade and due to the nature of such work please allow slight variations in the surface of the material.

Do not use force to assemble the luminaire. Always pay attention to the luminaire balance, do not place or install the luminaire on uneven surfaces.

Do not disassemble this product. Grupa declines all responsibility for products that are modified without prior authorization.

This product is for indoor use only. Do not immerse this product into water.

Regularly check that there is no damage to cables and other parts. If the external cable of this luminaire is damaged, it must be exclusively replaced by the manufacturer or its authorized service agent or similar qualified persons in order to avoid a hazard.

Light Source

The light bulb is included - dimmable LED. The product contains a light source of energy efficiency class E.

Grupa guarantees that the luminaire will work properly only with the light bulb provided with the luminaire or suggested by the manufacturer. Should you exchange the light bulb, we suggest to use the same type as provided with the luminaire. Never touch the light bulb when the luminaire is turned on, or shortly after it is turned off because it can be hot and can cause burns. Do not touch the inner surfaces of the luminaire that may be hot.

Manufacturer:
Grupa Studio d.o.o.
Popa Dukljanina 1
10000 Zagreb, Croatia, EU

info@grupa.com
grupa.com

Environment

Do not throw this product in regular household trash but in a proper waste disposal that is suitable for similar electrical appliances.

Cleaning

Powder-coated surfaces should be cleaned with aqueous solutions made from pH-neutral detergents or cleaning products and soft, non-abrasive cloths, rags or industrial cotton batting.

Always clean metal surfaces gently and without scrubbing so that the surface is not scratched. Never use cleaners containing granular substances, acetic acid or citric acid.