

Open Anna

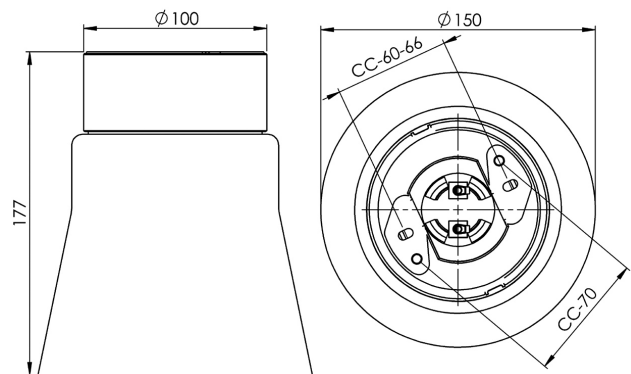
Ifö Open is based on a series of open shades which, together with the glazed ceramic bases, offers nine different models. Suitable for the gym, the kitchen, the hall or public environments.

| | |
|---------------------|---------------|
| EAN / GTIN | 7312907108530 |
| E-number | 7510274 |
| Article no. | 7108-530-12 |
| Type designation | 52740-1 |
| Norwegian El-number | 3002608 |
| Finnish S-number | 4212010 |



Specification

| | |
|-----------------------|-----------------------------|
| Material | Porcelain |
| Base colour | Grey (NCS S 6005-G50Y) |
| Glass | Matt opal glass |
| Glass thread (mm) | 84,5 mm |
| Glass gasket | Silicone |
| Weight | 1,08 kg |
| Diameter (mm) | 150 |
| Height (mm) | 177 |
| Lamp holder | E27 |
| Light source | E27, max 75W (not included) |
| Effect | Max 75W |
| Rated voltage | 230V |
| IP class | IP21 |
| Insulation class | II |
| D class | No |
| IK class | IK02 |
| Ta | -30 - +25 |
| Installation | Ceiling |
| CC measurement (mm) | 60-66, 70 |
| Knock out opening | 2 |
| Cable inlet | Bottom inlet |
| Cable glands | Bottom inlet |
| Cable area, max | Max 2 x 2,5 mm ² |
| Bridging | Yes |
| Surface mounted cable | Yes |
| Connection | Screw connector |
| Family | Open |
| Design | Duoform |



Maintenance

Disconnect the power to the luminaire. Unscrew the glass and clean it. Do not use detergents that contain solvents. Replace light source if necessary. Check the gasket and replace it if necessary. Screw the shade back on.

Spare parts

Shade Open Anna matt opal, Article no.: 1-6173-30
Gasket silikon for thread 84,5 mm, Article no.: 02786-9

If the luminaire is modified the person responsible for the modification shall be considered manufacturer. Subject to errors in text. We reserve the right to change the technical specifications (without notice).