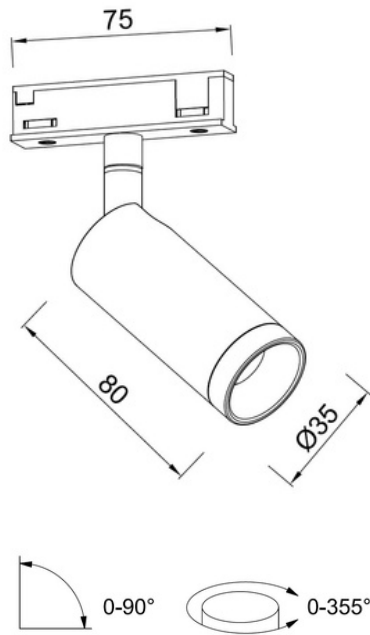


# ANTIDARK



## Datasheet

### DESIGNLINE DOMINO MINI SPOT GU10

THIS PRODUCT INCLUDES AN ANTIDARK LIGHT SOURCE / DETTE PRODUKT INDEHOLDER EN ANTIDARK LYSKILDE (MR11)

4,9W mini GU10. 345lm. Dimmable. 230V. 2700K. CRI90+.  
40.000h. IP20. Ø: 3,5cm. H:10,8cm.

4,9W mini GU10. 345lm. Dæmpbar. 230V. 2700K. CRI90+.  
40.000t. IP20. Ø: 3,5cm. H:10,8cm.

### VARIANTS / VARIANTER

2-323-01-1

White / Hvid

EAN 5706872062140

2-323-01-2

Black / Sort

EAN 5706872062317

2-323-01-4

Brass / Messing

EAN 5706872062423

2-323-01-24

Coffee / Kaffe

EAN 5706872062638

2-323-01-44

Gold / Guld

EAN 5706872067732

2-323-01-8

Matted Alu / Mat Alu

EAN 5706872062584

2-323-01-28

Dark Grey / Mørk Grå

EAN 5706872062799



ANTIDARK, DAMGAARDVEJ 2, DK-5500 MIDDELFART,  
DENMARK | +45 6341 8888 | WWW.ANTIDARK.DK |

22.01.2026