

## Contrast Fridhem

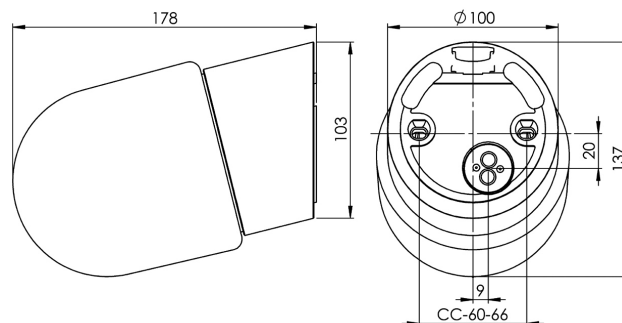
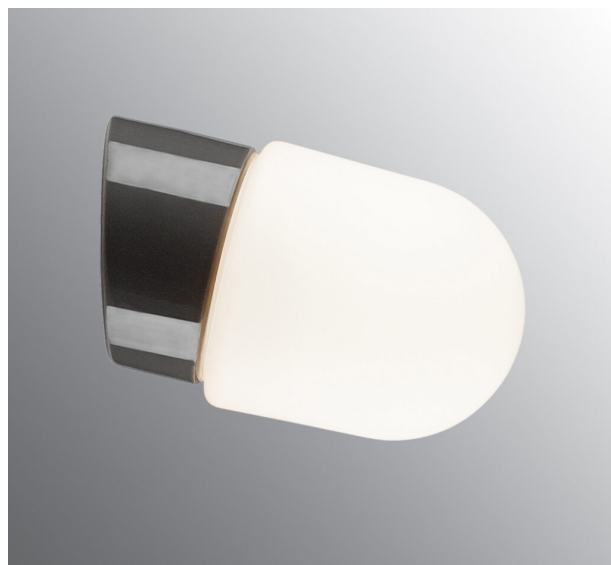
Contrast is a series with different shades in matt opal glass. Each type of glass has received its own local name to honour the area. Ifö Contrast is suitable for both private and public settings.

|                     |               |
|---------------------|---------------|
| EAN / GTIN          | 7312908018128 |
| E-number            | 7510209       |
| Article no.         | 8018-500-12   |
| Type designation    | 52726         |
| Norwegian El-number | 3055432       |
| Finnish S-number    | 4211936       |



### Specification

|                       |                             |
|-----------------------|-----------------------------|
| Material              | Porcelain                   |
| Base colour           | Grey (NCS S 6005-G50Y)      |
| Glass                 | Matt opal glass             |
| Glass thread (mm)     | 84,5 mm                     |
| Glass gasket          | Silicone                    |
| Weight                | 0,9 kg                      |
| Diameter (mm)         | 115                         |
| Length/Depth (mm)     | 178                         |
| Height (mm)           | 137                         |
| Lamp holder           | E27                         |
| Light source          | E27, max 75W (not included) |
| Effect                | Max 75W                     |
| Rated voltage         | 230V                        |
| IP class              | IP54                        |
| Insulation class      | II                          |
| D class               | No                          |
| IK class              | IK02                        |
| Ta                    | -30 - +25                   |
| Installation          | Wall                        |
| CC measurement (mm)   | 60-66                       |
| Knock out opening     | 1 - demands glands          |
| Cable inlet           | Bottom inlet                |
| Cable glands          | Bottom inlet                |
| Cable area, max       | Max 2 x 2,5 mm <sup>2</sup> |
| Bridging              | Yes                         |
| Surface mounted cable | Yes                         |
| Connection            | Mantle screw                |
| Family                | Contrast                    |
| Design                | Duoform                     |



### Luminaire specific information

Angeled 14 degrees.

### Maintenance

Disconnect the power to the luminaire. Unscrew the glass and clean it. Do not use detergents that contain solvents. Replace light source if necessary. Check the gasket and replace it if necessary. Screw the shade back on.

### Spare parts

Shade Fridhem matt opal, Article no.: 1-6122

Gasket silikon for thread 84,5 mm, Article no.: 02786-9

*If the luminaire is modified the person responsible for the modification shall be considered manufacturer. Subject to errors in text. We reserve the right to change the technical specifications (without notice).*