

Opus 140/170 LED DALI 3000K

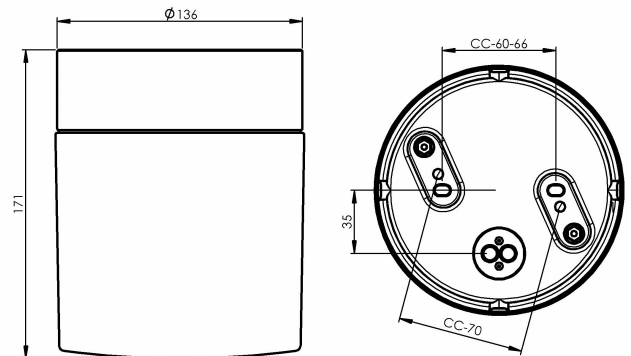
Opus 140/170 LED is an elegant cylindrical formed light fitting. Its timeless design is suitable for wall or ceiling installation, both indoors and outdoors. Equipped with a LED module, prepared for DALI.

EAN / GTIN	7312908252959
E-number	7508471
Article no.	8252-8001-16
Type designation	51765/DALI



Specification

Material	Porcelain
Base colour	Black (NCS S 9000-N)
Glass	Matt opal glass
Glass thread (mm)	123,5 mm
Glass gasket	Silicone
Weight	1,34 kg
Diameter (mm)	138
Height (mm)	171
Lamp holder	LED
Light source	LED module, 10W **
Effect	10W
Lumen, light source	1200lm
Colour temperature	3000K
MacAdam	3 SDCM
Life span	L80/B10: 47 000 h
Ra	Min 90
Lighting control	DALI Type 2
Rated voltage	230V
Dimmable	DALI PHM126 min 3%
IP class	IP44
Insulation class	I
Energy class	E
D class	No
IK class	IK02
Ta	-30 - +25
Installation	Ceiling/wall
CC measurement (mm)	60-66, 70
Knock out opening	4
Cable inlet	Bottom inlet
Cable glands	Bottom inlet
Cable area, max	Max 5 x 2,5 mm ²
Bridging	Yes
Surface mounted cable	Yes
Connection	Terminal block
Family	Opus
Design	Duoform



Maintenance

Disconnect the power to the luminaire. Unscrew the glass and clean it. Do not use detergents that contain solvents. Replace light source if necessary. Check the gasket and replace it if necessary. Screw the shade back on.

Spare parts

Shade Opus 140/170 matt opal, Article no.: 1-6188-30
Gasket silicone for thread 123,5 mm, Article no.: 02789
LED module 10W DALI 3000K, Article no.: 1-54062-1930

**** The device must under no circumstances be connected to the same phase as a magnetic ballast or other older fluorescent luminaires as these luminaires can generate overvoltage transients outside of EU regulatory standards when switched off or on. The luminaire can permanently damage or completely cease to function when connected.**

If the luminaire is modified the person responsible for the modification shall be considered manufacturer. Subject to errors in text. We reserve the right to change the technical specifications (without notice).