

Ohm Wall 140/205

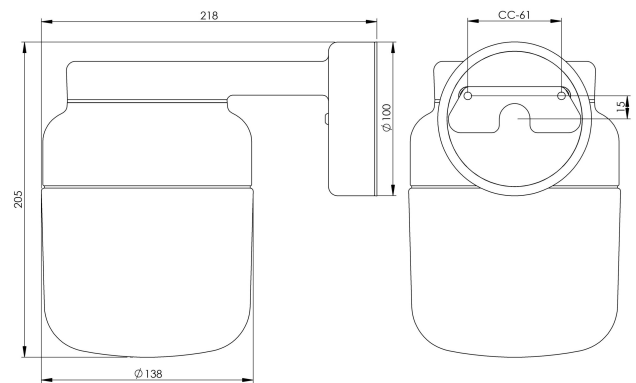
A family of porcelain luminaires for walls, ceilings and tables. Designed by Kauppi & Kauppi, the soft curves and restrained silhouette references to both Scandinavian design and ancient Japanese tableware.

| | |
|------------------|---------------|
| EAN / GTIN | 7312908382168 |
| E-number | 7510820 |
| Article no. | 8382-510-16 |
| Type designation | 51822W/E27 |



Specification

| | |
|-----------------------|----------------------------------|
| Material | Porcelain, Aluminum |
| Base colour | Black (NCS S 9000-N) |
| Glass | Clear glass |
| Glass thread (mm) | 123,5 mm |
| Glass gasket | Silicone |
| Weight | 2,110 kg |
| Diameter (mm) | 138 |
| Height (mm) | 205 |
| Lamp holder | E27 |
| Light source | E27, max 40W (not included) |
| Effect | Max 40W |
| Rated voltage | 230V |
| IP class | IP44 |
| Insulation class | II |
| D class | No |
| IK class | IK02 |
| Ta | -30 - +25 |
| Installation | Wall |
| CC measurement (mm) | 61 |
| Knock out opening | 1 |
| Cable inlet | Bottom inlet |
| Cable glands | Bottom inlet |
| Cable area, max | 3 x 2,5 mm ² |
| Bridging | Yes, but not with external cable |
| Surface mounted cable | Yes |
| Connection | Terminal block |
| Family | Ohm |
| Design | Kauppi & Kauppi |



Maintenance

Disconnect the power to the luminaire. Unscrew the glass and clean it. Do not use detergents that contain solvents. Replace light source if necessary. Check the gasket and replace it if necessary. Screw the shade back on.

Spare parts

Shade Ohm 140/170 clear glass, Article no.: 1-6168-10
Gasket silicone for thread 123,5 mm, Article no.: 02789

If the luminaire is modified the person responsible for the modification shall be considered manufacturer. Subject to errors in text. We reserve the right to change the technical specifications (without notice).