

Opus 200/140 Sauna

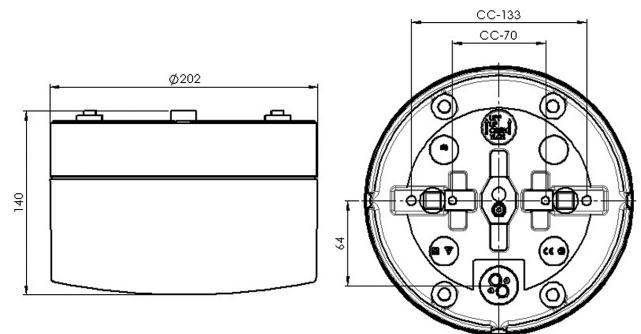
Opus 200 is an elegant cylindrical light fitting in a timeless design with a ceramic base and matt white shade. Suitable for both wall and ceiling in a sauna.

| | |
|---------------------|---------------|
| EAN / GTIN | 7312908261104 |
| E-number | 7530445 |
| Article no. | 8261-509-10 |
| Type designation | 7047 |
| Norwegian El-number | 3041080 |
| Finnish S-number | 4212257 |



Specification

| | |
|-----------------------|-------------------------------------|
| Material | Porcelain |
| Base colour | White (NCS S 1502-G50Y) |
| Glass | Matt opal glass |
| Glass thread (mm) | 185,5 mm |
| Glass gasket | Silicone |
| Weight | 2,00 kg |
| Diameter (mm) | 204 |
| Height (mm) | 140 |
| Lamp holder | E27 |
| Light source | Max 40W ceiling/60W wall (included) |
| Effect | Max 40W ceiling/60W wall |
| Rated voltage | 230V |
| IP class | IP44 |
| Insulation class | II |
| Energy class | G |
| D class | No |
| IK class | IK02 |
| Ta | Max +125 |
| Installation | Ceiling/wall |
| CC measurement (mm) | 133, 70 |
| Knock out opening | 3 |
| Cable inlet | Bottom inlet |
| Cable glands | Bottom inlet |
| Cable area, max | Max 2 x 2,5 mm ² |
| Bridging | Yes |
| Surface mounted cable | Yes |
| Connection | Screw connector |
| Family | Sauna |
| Design | Duoform |



Luminaire specific information

The luminaire is designed to be installed in ambient temperatures of up to 125 °C. Also approved for steam rooms. Sauna light source, E27, 40W included.

Maintenance

Disconnect the power to the luminaire. Unscrew the glass and clean it. Do not use detergents that contain solvents. Replace light source if necessary. Check the gasket and replace it if necessary. Screw the shade back on.

Spare parts

Shade Opus 200/135 matt opal, Article no.: 1-6183-30
Gasket silicone for thread 185,5 mm, Article no.: 03431

If the luminaire is modified the person responsible for the modification shall be considered manufacturer. Subject to errors in text. We reserve the right to change the technical specifications (without notice).